



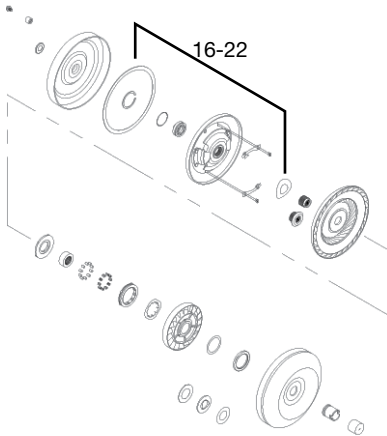
Clutch Eliminator

Part No.
GM-WA-45

Note: Standard quantity: 10/bag

Illustration Reference

GM-WA-45 replaces item numbers 16-22 below. For detailed illustration, visit www.sonnax.com.



GM 298mm LU to 350/450 NLU



Sonnax clutch eliminator **GM-WA-45** provides rebuilders with a solution for hard-to-find and much needed GM 350 and 400 non-lockup cores by allowing the conversion of popular GM 298mm LU converters to these units.

Features & Benefits

- Converts popular GM 298mm LU converters to GM 350/400 non-lockup units
- 1.050" Height
- Requires some machining

NOTE: Instructions are available online at www.sonnax.com or from your sales representative.