

Center Support/Overdrive Shaft Sleeve Kit

56219-05K

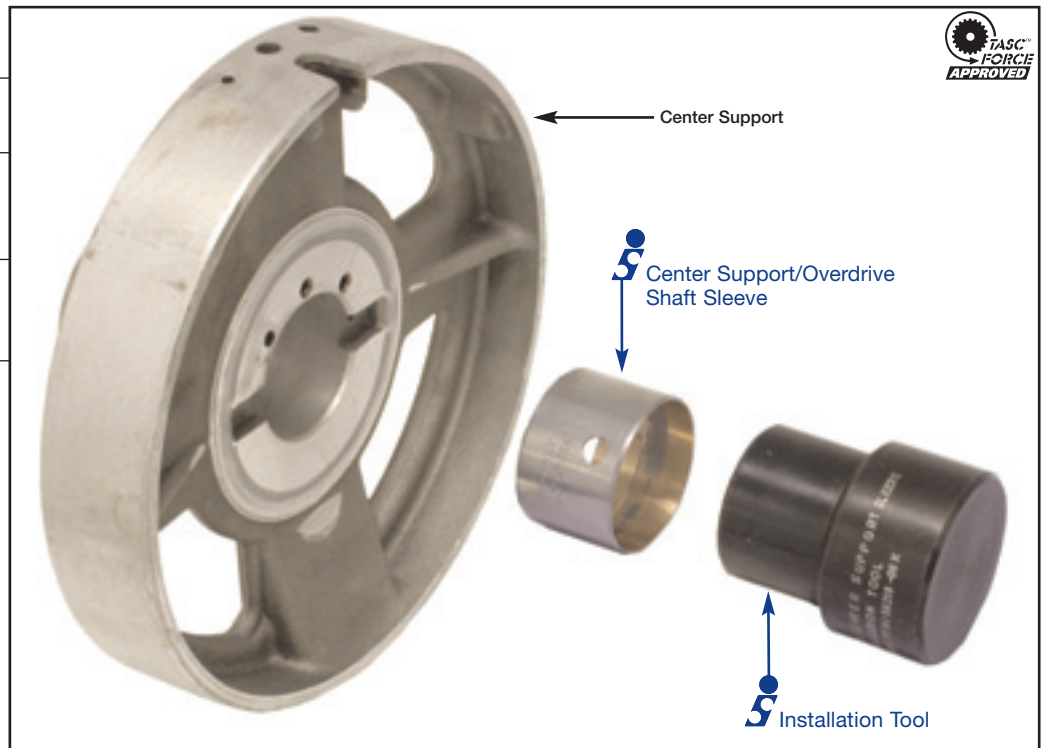
1 Overdrive Shaft Sleeve

56219-06K

1 Installation Tool

1 Overdrive Shaft Sleeve

Note: Both parts fit '96 & earlier
bushing style center supports only.



Instructions

- 1) Deburr the edge of the center support bore.
- 2) Apply Loctite® 609 to the bore and sleeve.
- 3) Place the sleeve on the **56219-06K** installation tool and align the oil hole in the sleeve with the lube feed hole in the bore of the center support, and press into place (see Figure 1 on following page). The tool will bottom out automatically, setting the correct depth.
4. Verify that the oil feed hole in the center support is not covered by the sleeve (see Figure 2 on following page).
5. Stake the bushing in place by putting two small stakes in the bushing at the thrust washer tab slot, opposite the lube feed hole in the bushing (be careful not to distort the bushing).
6. Remove the output shaft pilot from the overdrive shaft (see Figure 3 on following page). If the output shaft is the early style with lube holes, it will be necessary to plug the end of the output shaft with a metal cup plug (Dorman # 555092), and drill a .060" orifice in the center of the cup plug. Install a replacement bushing to retain the plug.

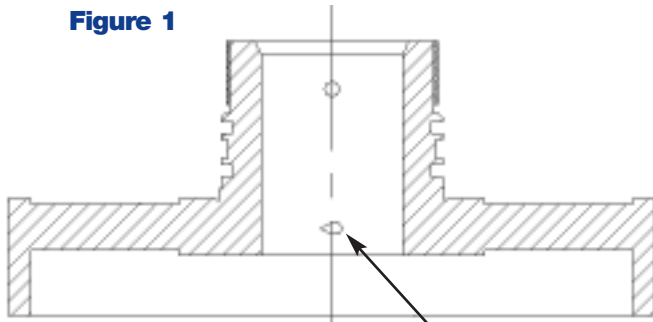
Note: It is suggested to grind off the tip of the overdrive shaft where it fits into the output shaft. This eliminates the potential for binding that can occur by supporting the overdrive shaft in two locations.

A4LD, 4R44E & 4R55E

PART NUMBERS 56219-05K, -06K

Center
Support/Overdrive Shaft
Sleeve Kit

Figure 1



Align lube holes

Place sleeve on
installation tool

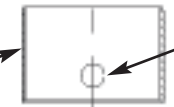
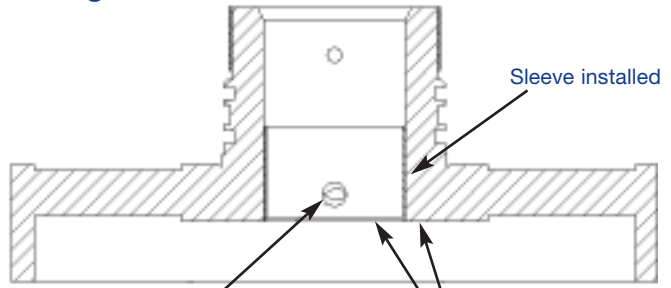


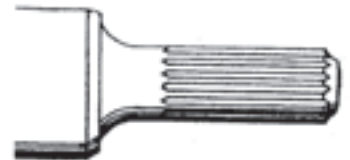
Figure 2



Verify lube hole is
not restricted

Verify sleeve is flush
with support

Figure 3



⚡

⚡

⚡

⚡