



Clutch Release Kit

Part No.
MB-CP-10K

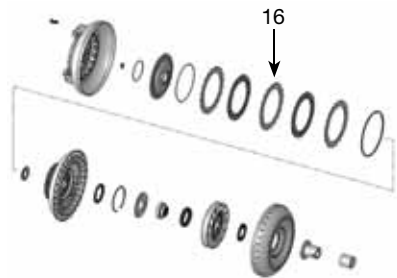
- Steel Clutch Plate with Spring Notches
- Clutch Release Spring (10)

Also Available

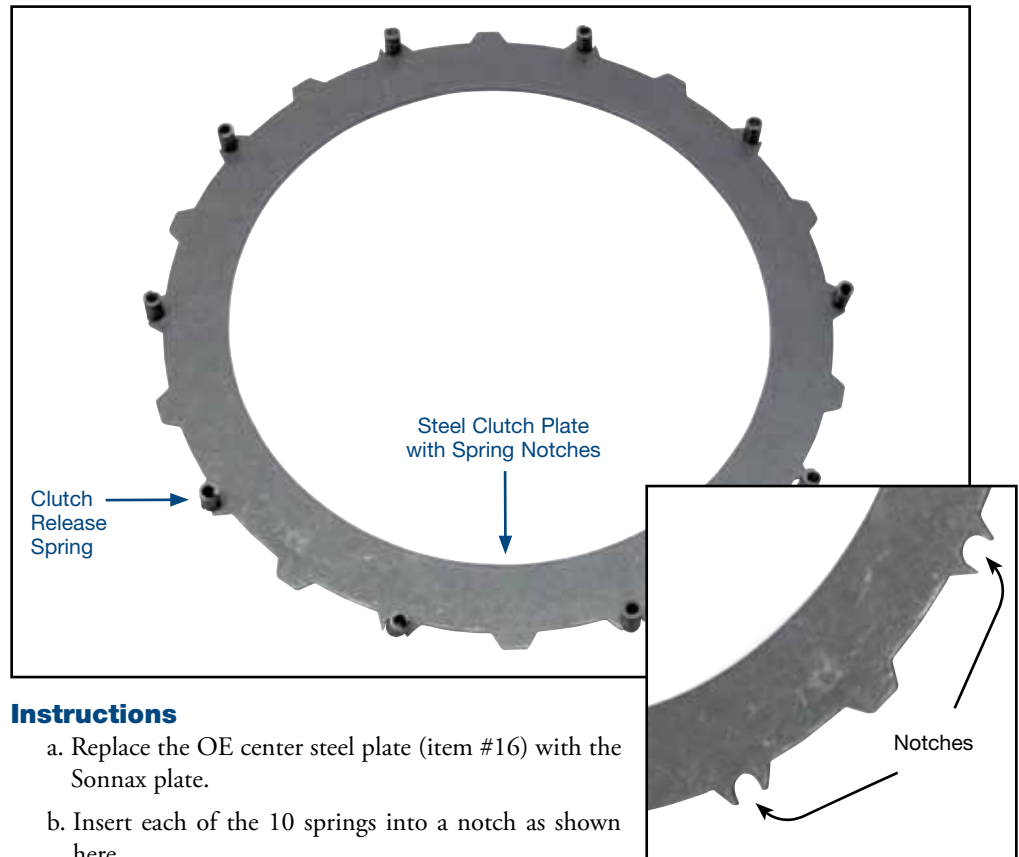
- **MB-CP-10R** Steel Clutch Plate with Spring Notches
- **MB-S-1** Clutch Release Spring (100/bag)

Illustration Reference

MB-CP-10K is item number 16 as shown below. For detailed illustration, visit www.sonnax.com.



Mercedes 722.6



Instructions

- Replace the OE center steel plate (item #16) with the Sonnax plate.
- Insert each of the 10 springs into a notch as shown here.
- One end of each spring will contact the bottom steel plate, the other end will contact the pressure plate as shown below.

