

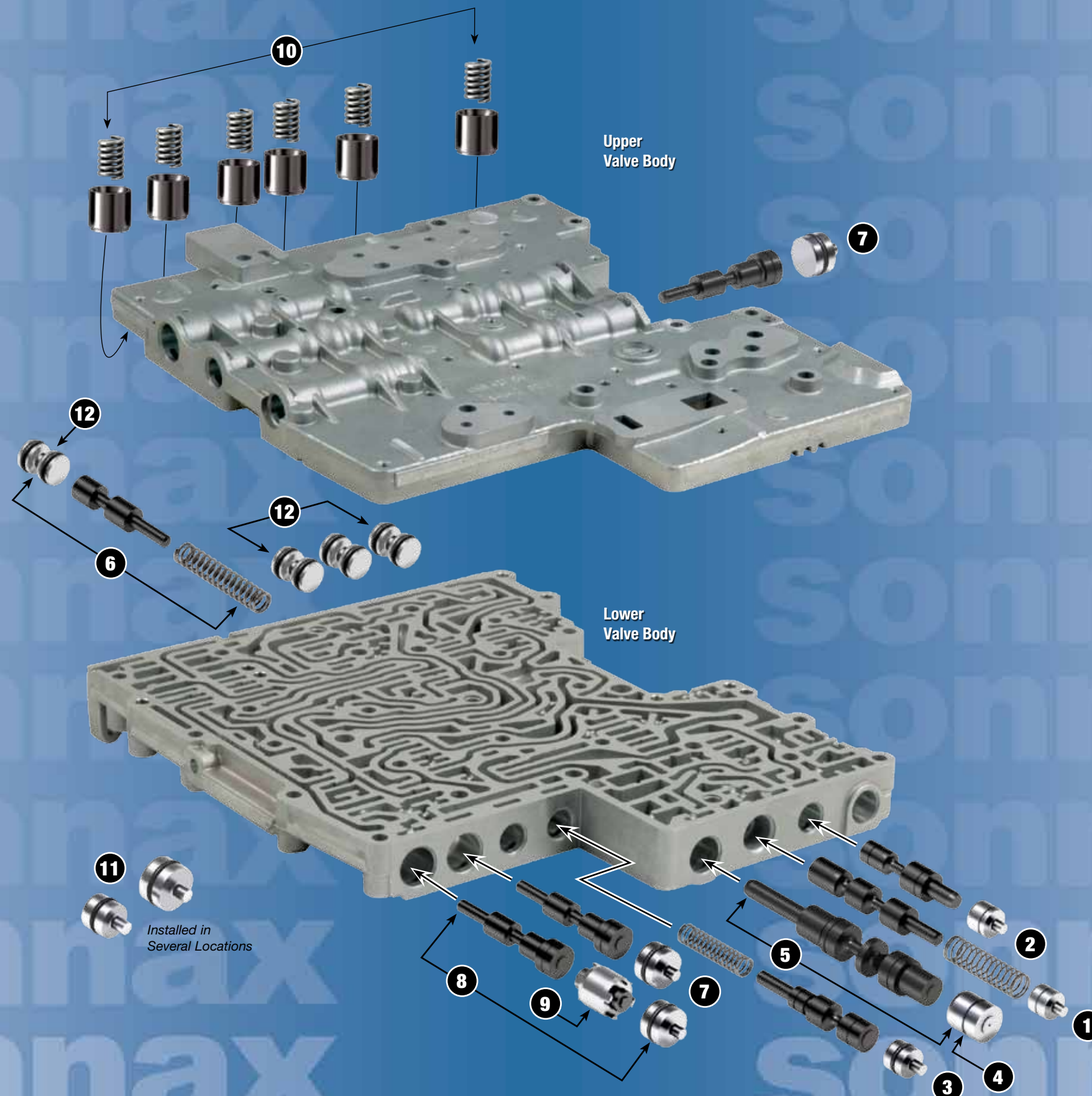
# ZF6HP19/26/32\*

\*Also fits Ford 6R60

# sonnax®

TIME TESTED • INDUSTRY TRUSTED®

1 Automatic Drive • P.O. Box 440 • Bellows Falls, VT 05101-0440 USA  
(800) 843-2600 • (802) 463-9722 • F: (802) 463-4059 • www.sonnax.com

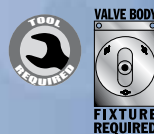


**1 95740-05K**  
**Oversized Converter Release Regulator Valve Kit**

*Helps cure:*

- Excessive TCC slip, RPM & related codes
- Harsh lockup apply & release

**Note:** Requires tool kit F-95740-TL5 & the VB-FIX reaming fixture.

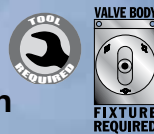


**2 95740-11K**  
**Oversized Lubrication Control Valve Kit**

*Helps cure:*

- Low converter pressure
- Lube failure

**Note:** Requires tool kit F-95740-TL11 & the VB-FIX reaming fixture.



**3 95740-13K**  
**Oversized Bypass Clutch Control Valve Kit**

*Helps cure:*

- Converter overheat
- Low TCC release pressure

**Note:** Requires tool kit F-95740-TL13 & the VB-FIX reaming fixture.



**4 95740-03**  
**Pressure Regulator Sleeve**

*Helps cure:*

- Harsh or erratic line pressure
- Broken parts



**5 95740-01K**  
**Oversized Pressure Regulator Valve Kit**

*Helps cure:*

- Delayed or no reverse
- Poor shift quality

**Note:** Requires tool kit F-95740-TL & the VB-FIX reaming fixture.

**6 95740-17K**  
**Oversized Solenoid Pressure Regulator Valve Kit**

*Helps cure:*

- Gear ratio or solenoid codes
- Wrong gear starts

**Note:** Requires tool kit F-95740-TL17 & the VB-FIX reaming fixture.

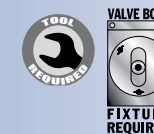


**7 95740-08K**  
**Oversized Clutch D1 or E Control Valve Kit**

*Helps cure:*

- Flare upshifts or downshift bind-ups
- Excessive clutch overlap & clutch distress

**Note:** Requires tool kit F-95740-TL8 & the VB-FIX reaming fixture.



**8 95740-09K**  
**Oversized Clutch A Control Valve Kit**

*Helps cure:*

- Flare upshifts or downshift bind-ups
- Excessive clutch overlap & clutch distress

**Note:** Requires tool kit F-95740-TL8 & the VB-FIX reaming fixture.



**9 95740-21K**  
**Clutch A Control Boost Valve & Sleeve Kit**

*Helps cure:*

- Delayed/Harsh forward engagement
- Flare/Neutral on 5-4 downshift

**10 95740-15K**  
**Valve Body Accumulator Piston & Spring Kit**

6 Sets

*Helps cure:*

- Firm up/downshift and/or engagement
- Erratic EDS solenoid control

**11 95740-19K** 6 large & 6 small plugs  
**12 95740-25K** 4 plugs (Internal)  
**O-Ringed End Plug Kits**

*Helps cure:*

- Soft/Inconsistent shift feel